

6600 Series Electric Actuated Glass Control Valve



YES. WE CARE...

SUDE the 32 years old company once again introduces new range of Electrical actuated Glass control Valves for controlling flow of Acid in an Acid Regeneration Plant specially used in Pickling Plant to recycle waste Acid.



6600 Series Electric Actuated Glass Control Valve

Pickling is a metal surface treatment used to remove impurities, such as stains, inorganic contaminants, rust or scale from ferrous metals, copper, precious metals and aluminium alloys. A solution called pickle liquor, which contains strong acids (typically hydrochloric or sulphuric acid) is used at about 80°C, and they are used to remove the surface impurities.

Waste from pickling process which mainly consists of hydrochloric sulphuric acid, Suspended Iron particles & Water along with CNG and Air is feed to a reactor in controlled manner through motorised Glass Valve. This acid get converted to gaseous form in the reactor which is again converted to acid in an absorption column.

The Glass valve is made of Borosilicate Glass Type 3.3 as per BS-2598 guidelines equivalent to International Standards & PTFE plugs. Glass valve allows visual checking to monitor flow of acid and see that crystallization does not take place. The valve has to be washed periodically with water to remove iron particles if any.



Applicable in all Hazardous Chemicals Except HF :

Our Glass Valve can be used in all hazardous chemicals like Sulfuric acid (H₂SO₄), Hydrochloric Acid (HCl), Nitric Acid, Bromine (Br), Chlorine (Cl), Sodium Bromide (NaBr), Potassium Bromide (KBr), Hydro Bromide (HBr) in other way you can say all the chemicals except HF (Hydro Fluoride) base chemicals.

Temperature :

Our Glass valve can work up to 50 degree temperature continuously and 200 degree temperature intermttent dully.

Pressure:

Design Pressure up to 2bar.g for size up to 50 NB dia of valve, we have also manufactured 3" and 4",if you need this sizes the offer can be submitted on request.

Vacuum :

Our glass valve are suitable for full vacuum.

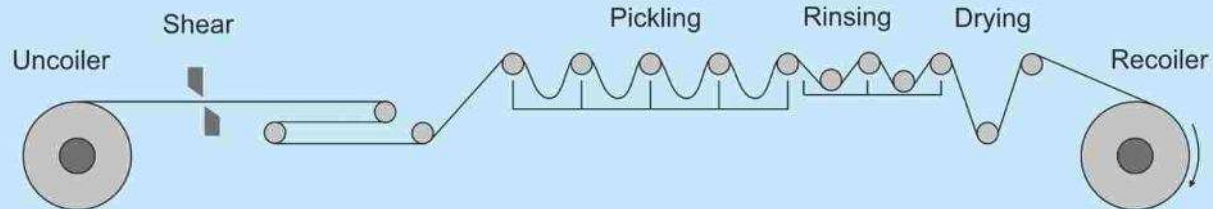
Thermal Shock / Delta T.

Thermal shock means if you are adding any other chemical / liquid in already heated chemical / liquid then the difference of the both chemicals must be in between 120° Celsius if it is above 120° Celsius then this glass can be break / or cracked. So be careful for this point.



Typical Pickling line lay out

Continuous Pickling line



Valve Specification

SPECIFICATION	DETAILS
Series	6600
Valve Size in NB	25, 40, 50, we can also offer 80 & 100 NB on request
End Connection Valve body	Flanged Borosilicate Glass Type 3.3 as per BS-2598
Plug Max. Temperature	PTFE 150 degree temperature continuously and 200 degree temperature intermttent
Media	All hazardous chemicals like Sulfuric acid, Hydrochloric Acid, Nitric Acid, Bromine, Chlorine, Sodium Bromide, Potassium Bromide, Hydro Bromide

Actuator Details

01	Make	SDTORK
02	Series	2000
03	Model	SD-2000-200-1-S
04	Out Put motion.	Linear
05	Rated Actuating Force	200 Kgs
06	Operating speed	0.2 / 0.26 / 0.52 mm/sec
07	Stroke Length	40 mm max.
08	Time of operation	Options available
09	Manual over-ride	Provided Hand wheel with clutch.
10	Travel Limit Switches	Provide: 2 + 2 = 4 Nos. Type : 1NO+1NC, change over type contacts, contact rating: 5 A, 230 V AC
11	Local Position Indicator	A continuous local mechanical position indicator is provided with actuator which always gives a faithful indication of actuator position independent of power supply.
12	Class of Protection	IP55, IP65, IP67
13	Duty	ON-OFF / Regulating

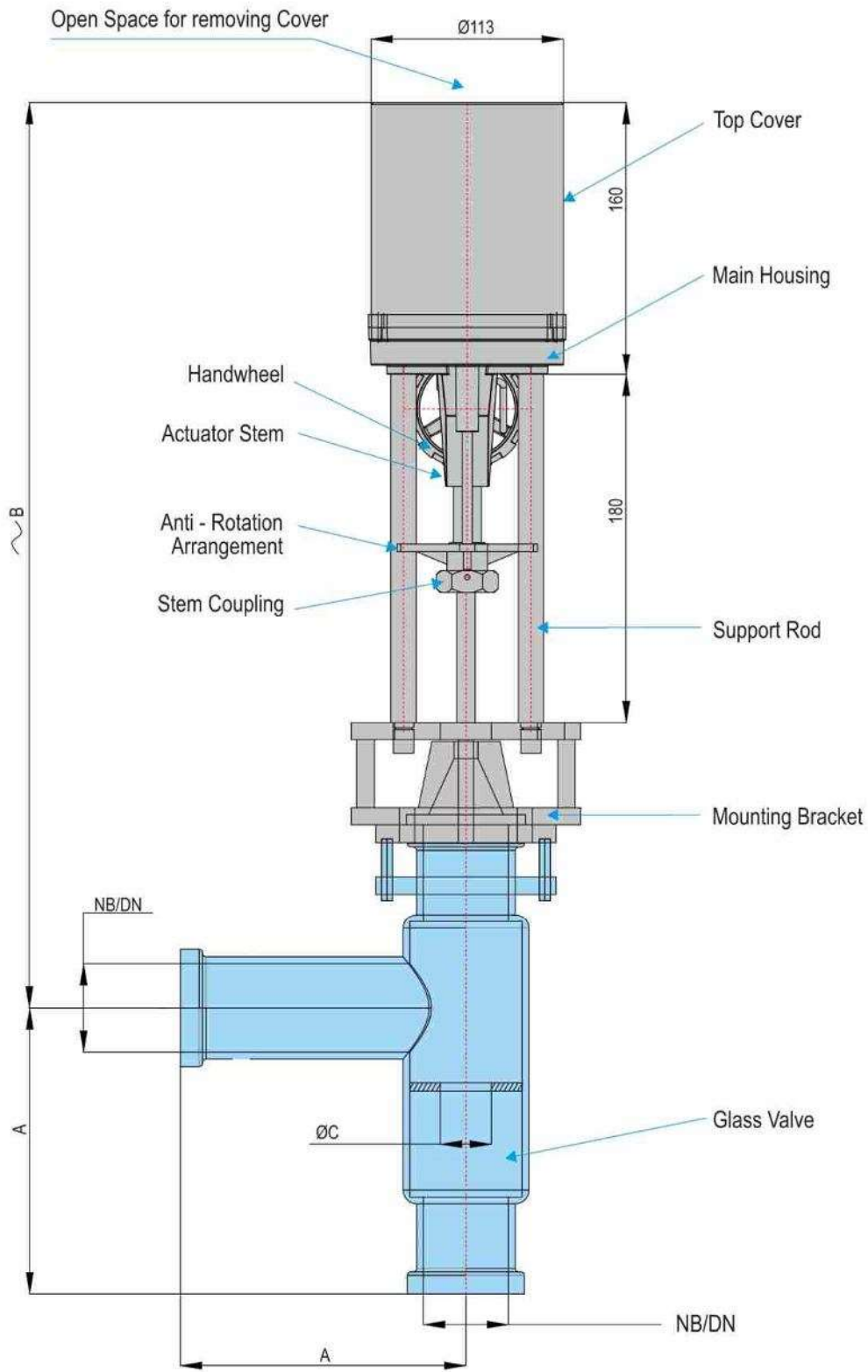
Motor Details

14	Type	Non blocking A.C. Synchronous motor
15	Supply	230 / 110 VAC 50 Hz 1 Phase
16	Duty	Regulating
17	Insulation Class	F
18	Rating	3.14 watts

Special Accessories

19	Space Heater	10 Watts, 230 VAC
20	Feedback Position Transmitter	Output: 4-20 m A, Supply : 12-36 VDC
21	Servo Controller	Input : 4-20 m A, Supply : 230 VAC

G.A. Drawing



Valve Model	NB/DN	A x A	B	C
6600 / BG / 25	25	100	458	18
6600 / BG / 25	40	150	508	26
6600 / BG / 25	50	150	508	38

Servo Controller



Panel Mounted Servo Controller (Positioner)

Model	BE-8100
Operating Voltage	230VAC (Optional-110VAC, 24VAC)
Display Indication	0 to 100% for Valve Opening
LED Indications	For Valve Opening/Closing and Auto/Man
Control Input	4-20mA, 0-1VDC, 0-10VDC
Feed Back Output	4-20mA
Feed Back Input	Resistive or 4-20mA
Control Output	230VAC for Motor for Opening/Closing
Auto/Manual Selection	Auto Mode : Valve Operates according to control Input given Manual Model : Valve Operates by pressing
Open/Close Keys :	Provided on the front panel
Calibration	Auto Calibration facility provided
Enclosure	96(w) x96(h) x110(d) mm



Registered Office, Bangalore



SUDE

An ISO 9001:2008 Certified Company

SUDE ENGINEERING CORPORATION

Registered Office

Shop No. 1106, 10th Main Road, R.P.C. Layout, Near R.P.C. Layout Bus Stop, Hampinagar, Bangalore 560 104. (Old Pin 560040) Karnataka, India
Tel. : +91 80 2330 2145 / 2314 1104 / 2340 2297
Fax : +91-80-23305729 Cell : +91 9845018216
E-mail : sudeengg@gmail.com, sude@sudeengg.com

Pune Office / Works :

Gat No. 94/2, Plot No.1, Alandi Markal Road, Village - Dhanore, Tal - Khed, Pune 412105. Maharashtra, India
Tel. : +91 9763719689, 9763719690
Cell : +91 9822980003, 9845018216
Email : sude.pune@gmail.com