

SUDE

An ISO 9001:2015 Certified Company

Complete Solution in
Valve Automation

1914 DDGV Series Single / Double Disc Gate Valve

"Discover Precision and Safety in Gas Line Isolation"



YES. WE CARE...

Courteously | Attentively | Respectably | Effectively |



www.sudeengg.com

Sude Engineering Pvt. Ltd.

1914-DDGV Series – Double Disc Gate Valve

Introduction :

Sude Engineering Pvt Ltd. proudly presents the 1914-DDGV Series Gate Valve, meticulously designed for the isolation of gases, particularly in coke oven gas lines with elevated tar content. This series is an ideal solution for isolating highly toxic gas lines and gases containing tar.

Technical Description :

The 1914 Series Gate Valve comprises essential components such as the body, bonnet, disc, stuffing box, stem, superstructure, and drive mechanism. The SDTORK multiturn actuator, coupled with a bevel gearbox, drives the stem nut, enabling smooth open and close operations. A centrally placed collapsible wedge, connected to the valve stem through a specially designed flexible joint, ensures a sealing force on the discs, preventing rubbing of seating surfaces and increasing the overall life of the seat.

Special Features :

- ☑ Rising spindle and flexible wedge with an angular seat design.
- ☑ Metal-to-metal double sealing of hard-faced, machined, ground, and lapped seating surfaces for optimal isolation.
- ☑ Water can be filled between two discs to act as a 100% man-safe isolation water seal.
- ☑ Steam purging arrangement for melting tar and drain ports for removing molten tar and other trapped materials in high-pressure and large-size valves.
- ☑ Long stem nut arrangement available for specific requirements.

Technical Specifications :

- ☑ Size Range: 400mm to 3500mm
- ☑ Valve Design: Bidirectional
- ☑ Maximum Operating Pressure: Up to 0.3 Mpa
- ☑ Maximum Operating Temperature: Up to 250°C
- ☑ Type of Sealing: Metal to Metal
- ☑ End Connection: Flange Ends
- ☑ Orientation :
 - Vertical in Horizontal Pipeline (Default)
 - Horizontal in Vertical Pipeline (On Demand)



Industries Served :

- Petrochemical Industries
- Iron and Steel Mills
- Thermal Power Plants
- Marine Industries
- Oil & Gas Industries
- Cement Industries

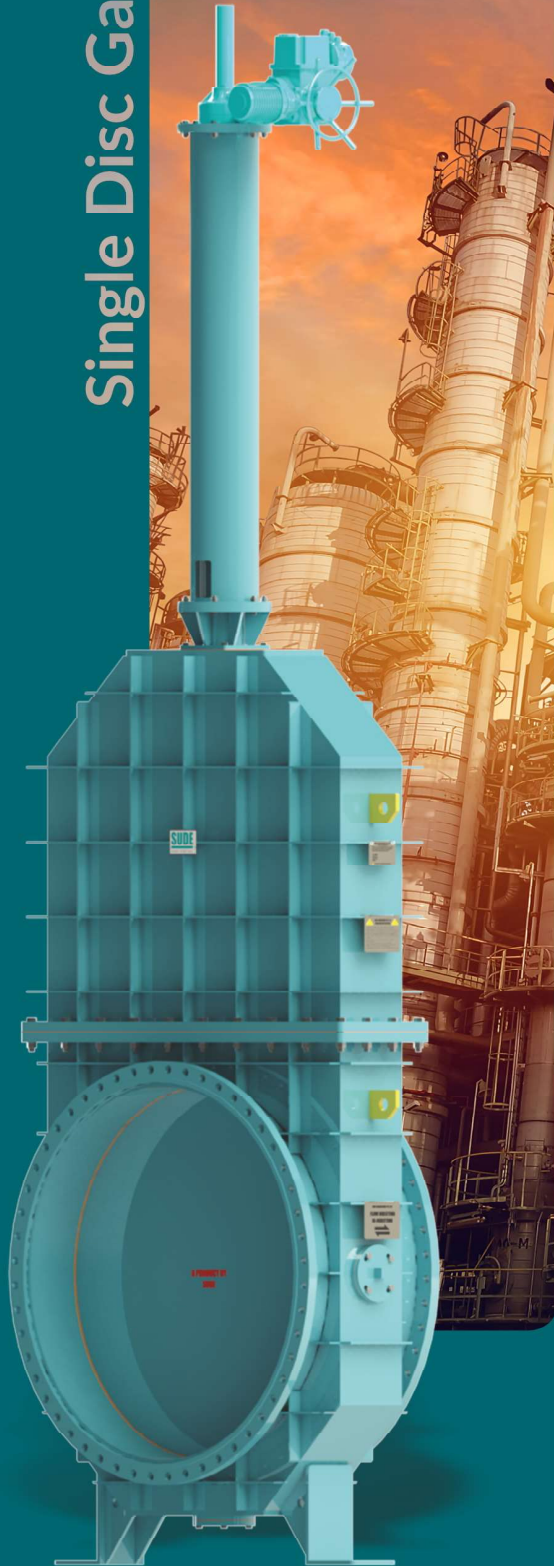
Model De-Codification :

SU-1914 / TYPE / SIZE / BODY / FLAP / SEAT / OPERATOR / ACESSORIES

SERIES	SU-1914
TYPE	DDGV-Double Disc Gate Valve SDGV- Single Disc Gate Valve
Size	Round / Rectangular / Square
Body	MOC - Thickness
Disc	MOC - Thickness
Seat	MOC
Operator	Electrical Actuator, Pneumatic Actuator, Hydraulic Actuator, Manual Bevel Gear Box.
Accessories	Limit Switches, Local Control Panel, Position transmitter, Proximity Switches, Canopy, etc.



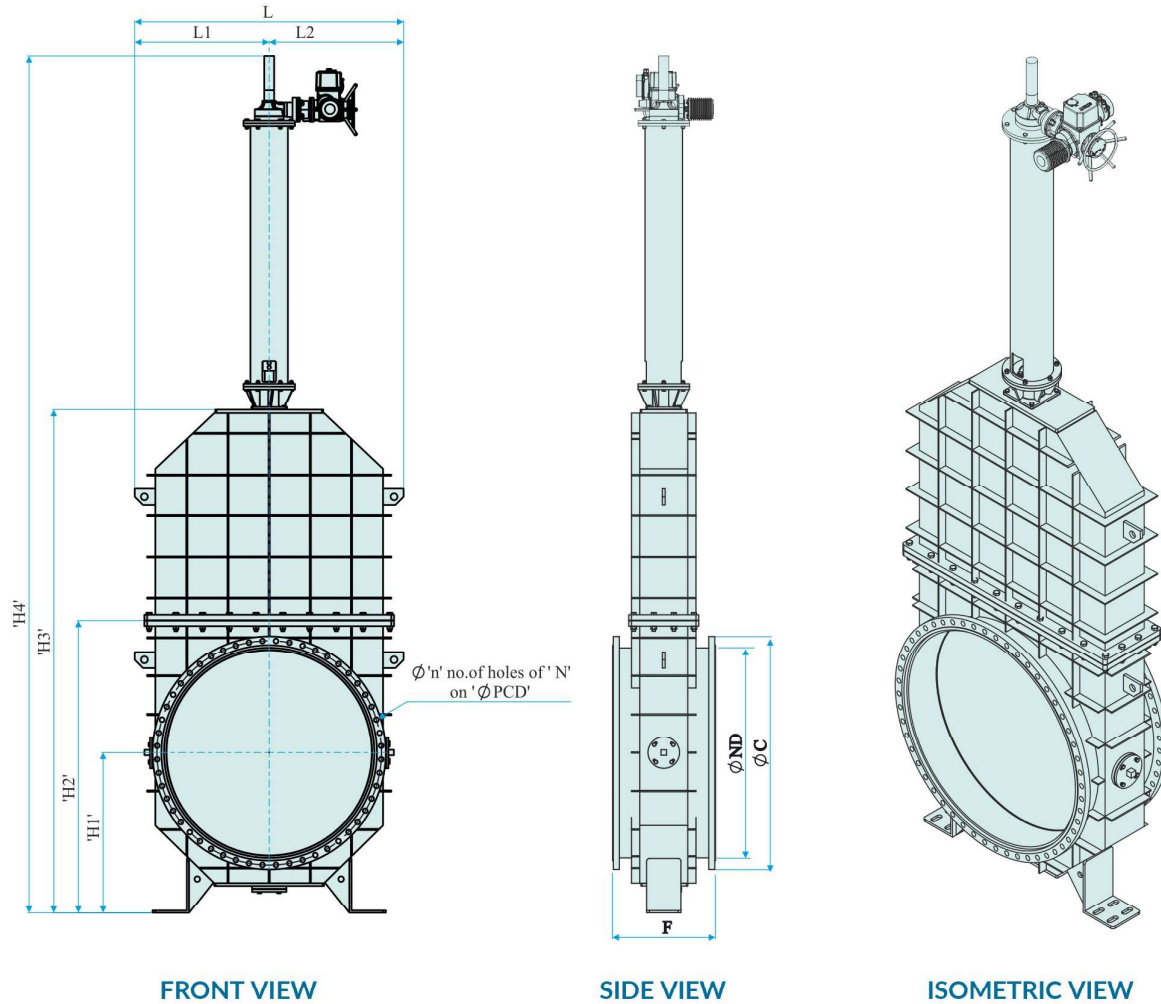
Single Disc Gate Valve



Double Disc Gate Valve



Single Disc Gate Valve Approx Dimensional Table

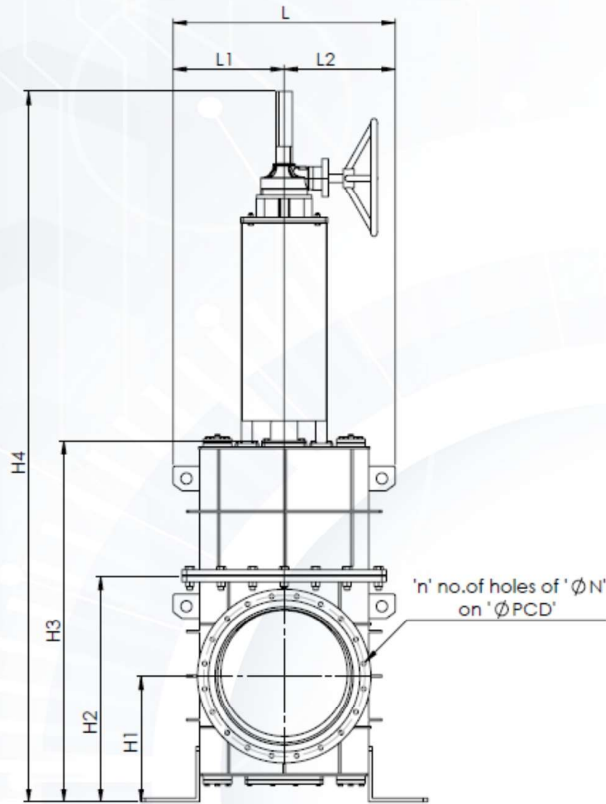


ND	Flange OD C	Face to Face Dim-F	Hole Dia. N/PCD	No. of Holes-n	H1	H2	H3	H4	L1	L2	Approx Wt. In Kg
400	540	510	22/495	16	470	920	1480	3680	500	500	850
600	755	510	26/705	20	520	970	1550	3735	500	500	1240
650	810	510	26/760	24	570	1020	1580	3865	525	525	1335
700	860	510	26/810	24	610	1115	1900	3935	550	550	1440
800	975	550	30/920	24	620	1165	1950	4377	600	600	1645
1000	1175	550	30/1120	28	780	1490	2475	5455	700	700	2055
1100	1290	590	33/1230	32	863	1640	2722	5878	770	770	2260
1200	1405	630	33/1340	32	880	1690	2875	6565	800	800	2465
1300	1520	670	36/1450	36	965	1830	3133	7063	865	865	2670
1400	1572	710	36/1560	36	1030	1972	3355	7450	935	935	2875
1500	1690	750	36/1660	40	1080	2112	3594	7935	950	950	3080
1600	1830	790	36/1760	40	1104	2090	3675	8350	1000	1000	3285
1800	2045	870	39/1970	44	1180	2450	4134	9089	1185	1185	3722
2000	2265	1185	42/2180	48	1292	2490	4475	9289	1200	1200	4520
2600	2905	1250	48/2810	60	1580	3215	5743	12663	1550	1550	5350

Note : 1) Other size on Demand, 2) All Dimensions are in mm. 3) All Dimensions are Tentative (only for Reference)

4) Flange Dimensions as per IS 6392 TABLE NO. 05, can be customised on demand.

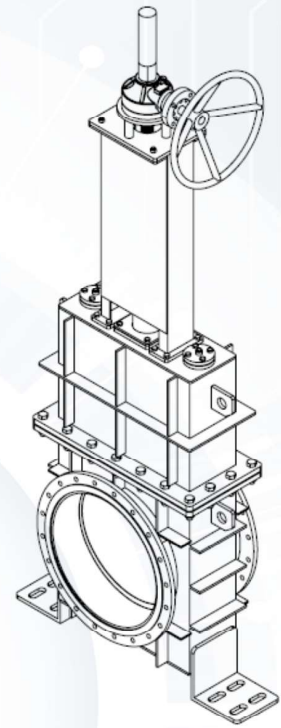
Double Disc Gate Valve Approx Dimensional Table



FRONT VIEW



SIDE VIEW



ISOMETRIC VIEW

ND	Flange OD C	Face to Face Dim-F	Hole Dia. N/PCD	No. of Holes-n	H1	H2	H3	H4	L1	L2	Approx Wt. In Kg
400	540	510	22/495	16	470	920	1480	3680	500	500	1080
600	755	510	26/705	20	520	970	1550	3735	500	500	1170
650	810	510	26/760	24	570	1020	1580	3865	525	525	1200
700	860	510	26/810	24	610	1115	1900	3935	550	550	1520
800	975	550	30/920	24	620	1165	1950	4377	600	600	1550
1000	1175	550	30/1120	28	780	1490	2475	5455	700	700	2250
1100	1290	590	33/1230	32	863	1640	2722	5878	770	770	3350
1200	1405	630	33/1340	32	880	1690	2875	6565	800	800	3650
1300	1520	670	36/1450	36	965	1830	3133	7063	865	865	4250
1400	1572	710	36/1560	36	1030	1972	3355	7450	935	935	4720
1500	1690	750	36/1660	40	1080	2112	3594	7935	950	950	5920
1600	1830	790	36/1760	40	1104	2090	3675	8350	1000	1000	7150
1800	2045	870	39/1970	44	1180	2450	4134	9089	1185	1185	9220
2000	2265	1185	42/2180	48	1292	2490	4475	9289	1200	1200	12300
2600	2905	1250	48/2810	60	1580	3215	5743	12663	1550	1550	16650

Note : 1) Other size on Demand, 2) All Dimensions are in mm. 3) All Dimensions are Tentative (only for Reference)
 4) Flange Dimensions as per IS 6392 TABLE NO. 05, can be customised on demand.



SUDE ENGINEERING PRIVATE LIMITED

www.sudeengg.com | www.sdtork.com

Bangalore Works :

Plot Number 67 & 68, Near Government ITI college, Magadi Road ,
 Seegehalli, BMTD Depot Road, Bangalore 560112.
 Tel. : +91 80 2330 2145 / 2314 1104 / 2340 2297
 Fax : +91-80-23305729 Cell : +91 9845018216
 E-mail : sudeengg@gmail.com

Pune Office / Works :

Gat No. 94/2, Plot No.2, Alandi Markal Road, Village - Dhanore,
 Tal - Khed, Pune 412105. Maharashtra, India
 Tel. :+91 9763719689, 9763719690
 Cell :+91 9822980003, 9845018216
 Email : scpl@sdtork.com

