

SUDE

®

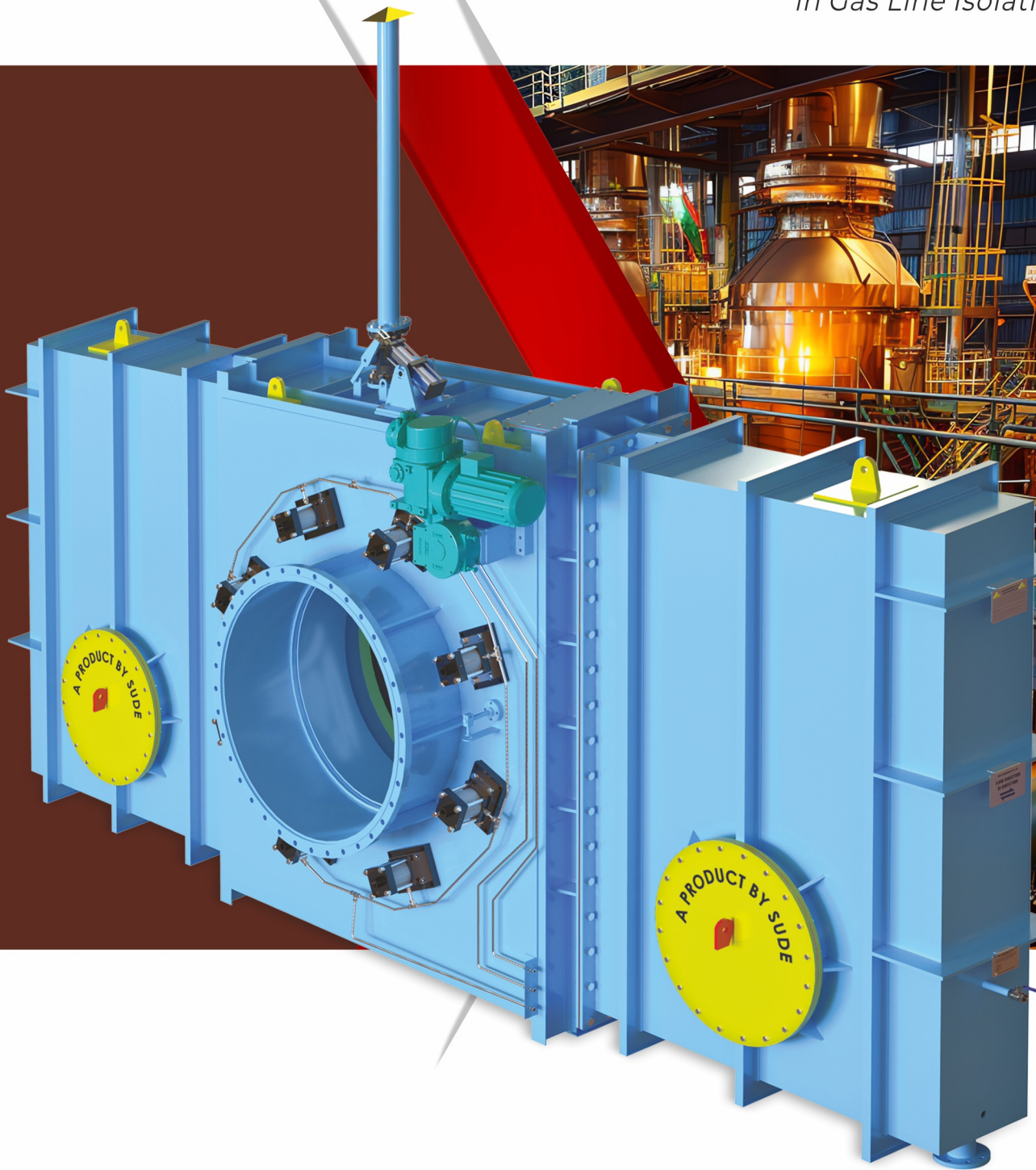
An ISO 9001:2015 Certified Company

Complete Solution in
Valve Automation

1915 GV Series

Open/ Encased - Slide Plate Goggle Valve

*"Discover Precision and Safety
in Gas Line Isolation"*



www.sudeengg.com

YES. WE CARE...

| Courteously | Attentively | Respectably | Effectively |

Sude Engineering Pvt. Ltd.

1915GV SERIES –OPEN/ENCASED- SLIDE PLATE GOGGLE VALVE

Overview :

Sude Engineering Pvt Ltd. proudly presents the 1915-GV Series Goggle Valve, meticulously designed for the isolation of gases in blast furnace containing Hazardous gases and gas pipelines. Also, for gases containing high dust particles ensuring 100% Leak tight closure and human safe design.

The Goggle valve is engineered to deliver exceptional performance, reliability and longevity, making it a preferred choice for critical processes where precision control and operational efficiency are paramount.

Technical Profile :

The Series 1915 Goggle Valve represents a pinnacle of engineering excellence, designed to provide precise control and reliable performance in demanding industrial applications. It features a robust construction crafted from high-quality materials such as stainless steel, carbon steel, or exotic alloys, ensuring durability and resistance to corrosion and wear. The valve body is meticulously machined to exacting tolerances, facilitating smooth operation and minimal friction loss. The SDTORK multiturn actuator with both flameproof and weatherproof options, coupled with a gearbox, drives the stem nut, enabling smooth open and close operations.

Key Technical Specifications Include:

- Advanced sealing mechanism
- Hydraulic / Electric / Pneumatic operation for the movable seat ring
- Clamping and Declamping Mechanism
- Nitrogen purging arrangement
- Automated vent valve system
- Sealing material as per temperature
- Tight Seal design when closed, effectively isolating a section of the pipeline or equipment from rest of the system.
- Chain and sprocket mechanism to operate the disc travel, ensuring smooth operation.
- Specially Designed Seat Clamping and Declamping Arrangement with help of Hydraulic Cylinders for quick & precise Action that ensures 100% sealing. Option of Electric cylinder is also available on request.
- Travel limit switches / Proximity limit switches to detect the position of the seat and disc.
- Designed for easy maintenance and long life.
- Sdtork Actuators, manufactured by our sister company, which are equipped with all necessary industrial certifications, ensuring reliability and compliance with industry standards.



Salient Features :

- Dismantling of bonnets as an option
- Movable seat ring with expansion bellow
- The enclosed device system ensures hazardous gases from escaping into the environment
- Manual operation available in case of power failure
- Replaceable seat
- Jam-proof operation
- The valve can be mounted at any altitude
- Replaceable Hydraulic cylinders and tubing without interrupting any operation

Technical Features :

Size Range : 400 mm to 3500 mm

Valve Design : Bi-directional

Maximum Operating Pressure : Up to 0.3 Mpa

Maximum Operating Temperature : Up to 180°C
(High temperature application on request)

Type of Sealing : Resilient Sealing

End Connection : Flanged Ends

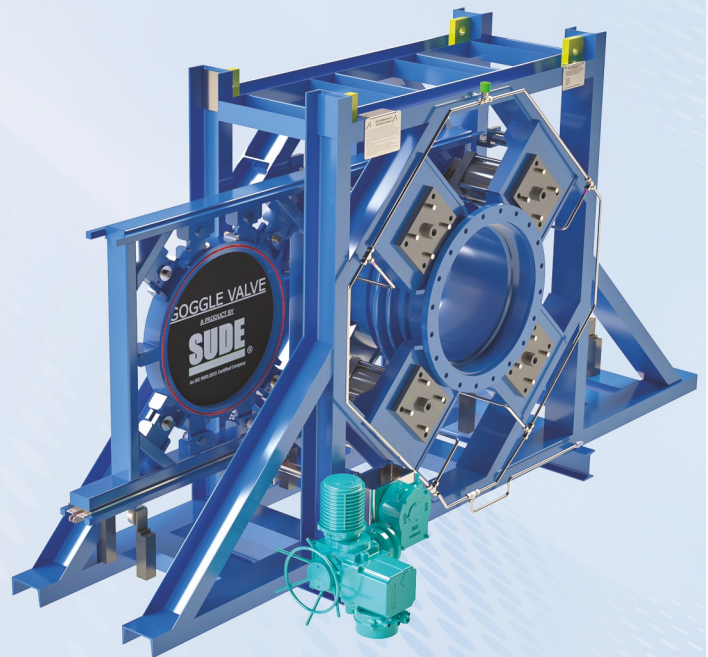
Orientation :

- Vertical in Horizontal Pipeline
- Horizontal in Vertical Pipeline
- Inclined

Testing : Body test, Seat test, Operational test

Operation :

Electro Hydraulic/ Motorized /Pneumatic

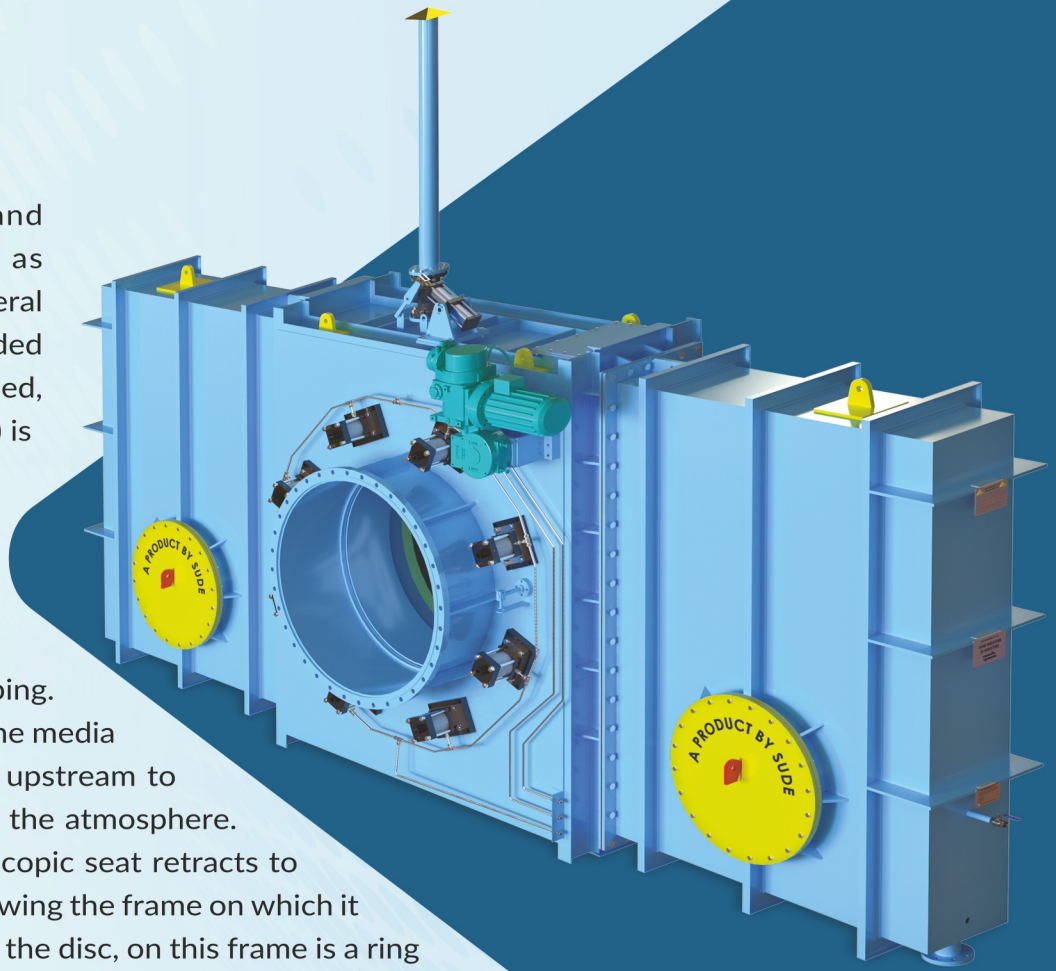


Structure :

Constructional details and overall dimensions are as shown in the typical general arrangement drawing provided here. When the valve is closed, the disc (with resilient seals) is clamped tightly between seats of body. One of the seats in the valve body is capable of forward and reverse movement to effect clamping & de-clamping.

When the disc is clamped, the media is completely isolated from upstream to downstream side as well as the atmosphere.

To open the valve the telescopic seat retracts to release the hold on disc, allowing the frame on which it is fitted, to move. Alongside the disc, on this frame is a ring which takes-up the space left by the disc in between the body seats and get clamped in the same manner as the disc. The ring part is only to fill-up the void left by the disc, so that the media does not leak to atmosphere when the valve is open. The goggle valve is provided with Electro-hydraulic drive, consisting of electrical actuator, hydraulic cylinders, Hydraulic Power-Pack and Electrical Control Panel. The Control Panel includes all controls and indications.

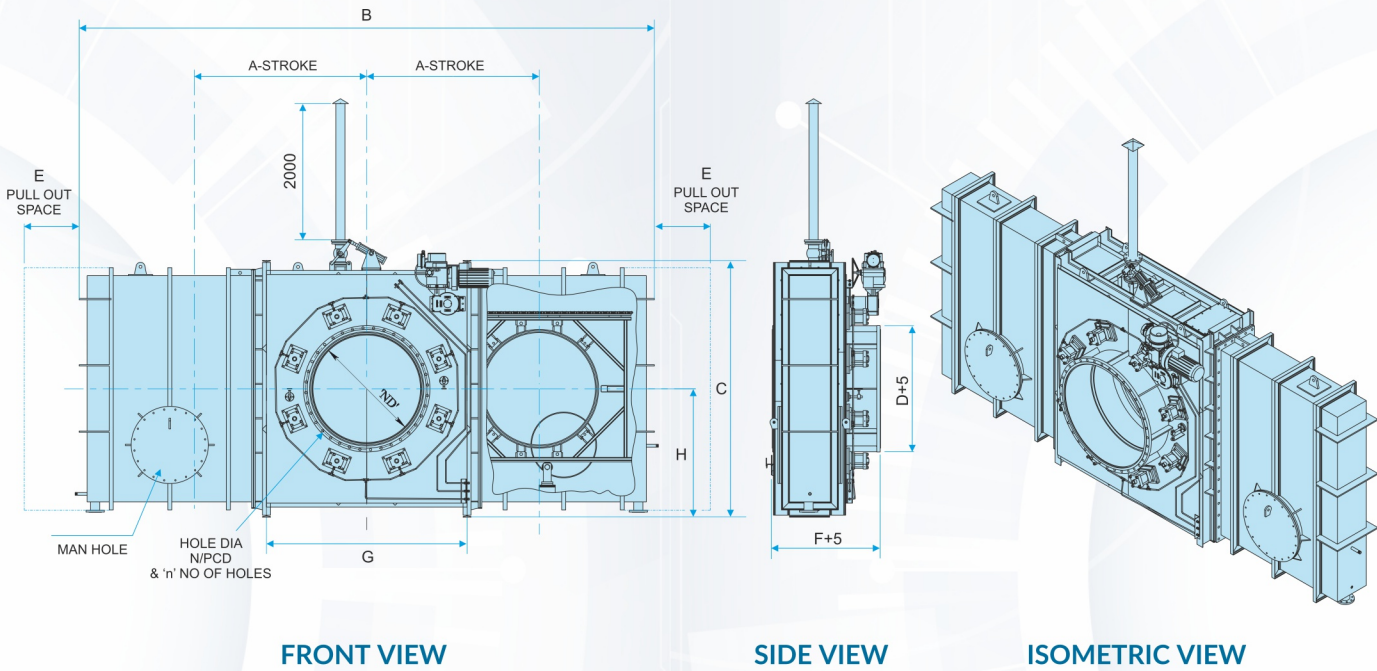


Application :

- Petrochemical
- Oil and Gas
- Chemical Processing
- Power Generation.
- Cement Plant
- Steel Plant



MODEL DECODIFICATION- SU-1915 /TYPE /SIZE /BODY /FLAP /SEAT / OPERATOR /ACESSORIES



Sr. No.	ND	Flange OD- D	Face To Face Dim - F	Hole Dia. N/pcd	No of Holes - N	B	C	E	G	H	Approx Wt. In Kg
1	600	755	1000	26/705	20	3600	1775	500	1500	900	4500
2	900	1075	1200	30/1120	28	5060	2255	775	1700	1140	6800
3	1000	1175	1200	30/1120	28	5650	2550	825	2000	1290	7500
4	1300	1520	1350	36/1450	36	6800	2880	1200	2300	1445	10500
5	1400	1572	1350	36/1560	36	7000	3200	1250	2500	1675	11000
6	1600	1830	1350	36/1760	40	8000	3325	1300	2700	1600	13500
7	1700	1935	1350	39/1865	44	8500	3425	1300	2800	1650	14500
8	2000	2265	1350	45/2180	48	10000	4029	1550	3300	1950	22500
9	2500	2705	1600	45/2640	60	10800	4650	1675	3660	2216	24500
10	2800	3030	2000	51/2960	64	11210	5110	1775	3800	2510	31500
11	3000	3245	2000	59/3170	68	12010	5475	1900	4070	2690	33750

- Note :** 1) Other size on Demand
 2) All Dimensions are in mm.
 3) All Dimensions are Tentative (only for Reference)

MAINTENANCE & SUPPORT :

For Maintenance and servicing we provide quick support and assistance with in-house experienced technicians. We carry a minimum stock of maintenance spares all the time.

Other Products

- Electrical Actuator
- Pneumatic Actuator
- Angle Valve & Other Allied
- Damper
- High Gain and High Powered Control Valves + 2 Way / 3 Way Control Valve with Electrical Actuator
- Pressure Reducing & Desuperheating Station (PADS)
- 2 Way/ 3 Way Electric / Pneumatic Actuated Ball Valves
- V Notch Segmented Ball Valve with Intelligent Electrical Actuator/ Basis Weight Valve
- V Notch Segmented Ball Valve with Pneumatic Rotary Spring Return Actuator / Dilusion Valve
- 2 Way Butterfly Valve Fitted with Electrical Reversible Stayput Type Actuator in Single Phase / Three Phase Actuator Construction
- 2 Way Butterfly Valve Fitted with Pneumatic Double Acting / Spring Return Actuator
- Plastic Butterfly and Ball Valves Fitted with Pneumatic /
- Electrical Actuator
- Knife Edge Gate Valve with Pneumatic / Electrical Actuator
- Zero Bacteria Food Grade Ball & Butterfly Valve with Pneumatic & Electrical Actuator
- Sluice/ Gate Valve with Electrical/ Pneumatic/ Hydraulic Actuator
- Electric Actuated Glass Control Valve
- 2 Way Electric Actuated Ball Valve Compact & Sleek Design
- Heavy Duty Torque Scotch & Yoke Quarter Turn Pneumatic Actuator
- Bellow Sealed & Piston Valve with Diaphragm & Electric Actuator
- 2/2 Way Motorized Globe Valves for Fuel Oil and General Application 1754+ 1254 Combustion Series
- 2 Way Electrical Actuated Lined/ Unlined Weir/ Straight Pattern Diaphragm Valve + 2 Way Pneumatic Operated Lined / Unlined, Weir / Straight Pattern Diaphragm Valve
- 2 Way Plug Valve Fitted with Electrical / Pneumatic Actuator
- Plastic Diaphragm Valves Fitted with Pneumatic / Electrical Actuator
- Power Cylinder with Electro Pneumatic Positioner
- Automated Flush Bottom Valves
- Solenoid Valves Angle Valves
- Electro - Hydraulic Actuator
- Test Jig for Testing & Calibration

Your Success is Our Commitment.



An ISO 9001:2015 Certified Company

SUDE ENGINEERING PRIVATE LIMITED

Bangalore Works :

Plot Number 67 & 68, Near Government ITI college,
Magadi Road , Seegehalli, BMTC Depot Road,
Bangalore 560112.

Tel. : +91 80 2330 2145 / 2314 1104 / 2340 2297

Fax : +91-80-23305729

Cell : +91 9845018216

E-mail : sudeengg@gmail.com

Pune Office / Works :

Gat No. 94/2, Plot No.1, Alandi Markal Road,
Village - Dhanore, Tal - Khed, Pune 412105.
Maharashtra, India

Tel. :+91 9763719689, 9763719690

Cell :+91 9822980003, 9845018216

Email : scpl@sdtork.com

www.sudeengg.com | www.sdtork.com



www.sudeengg.com

