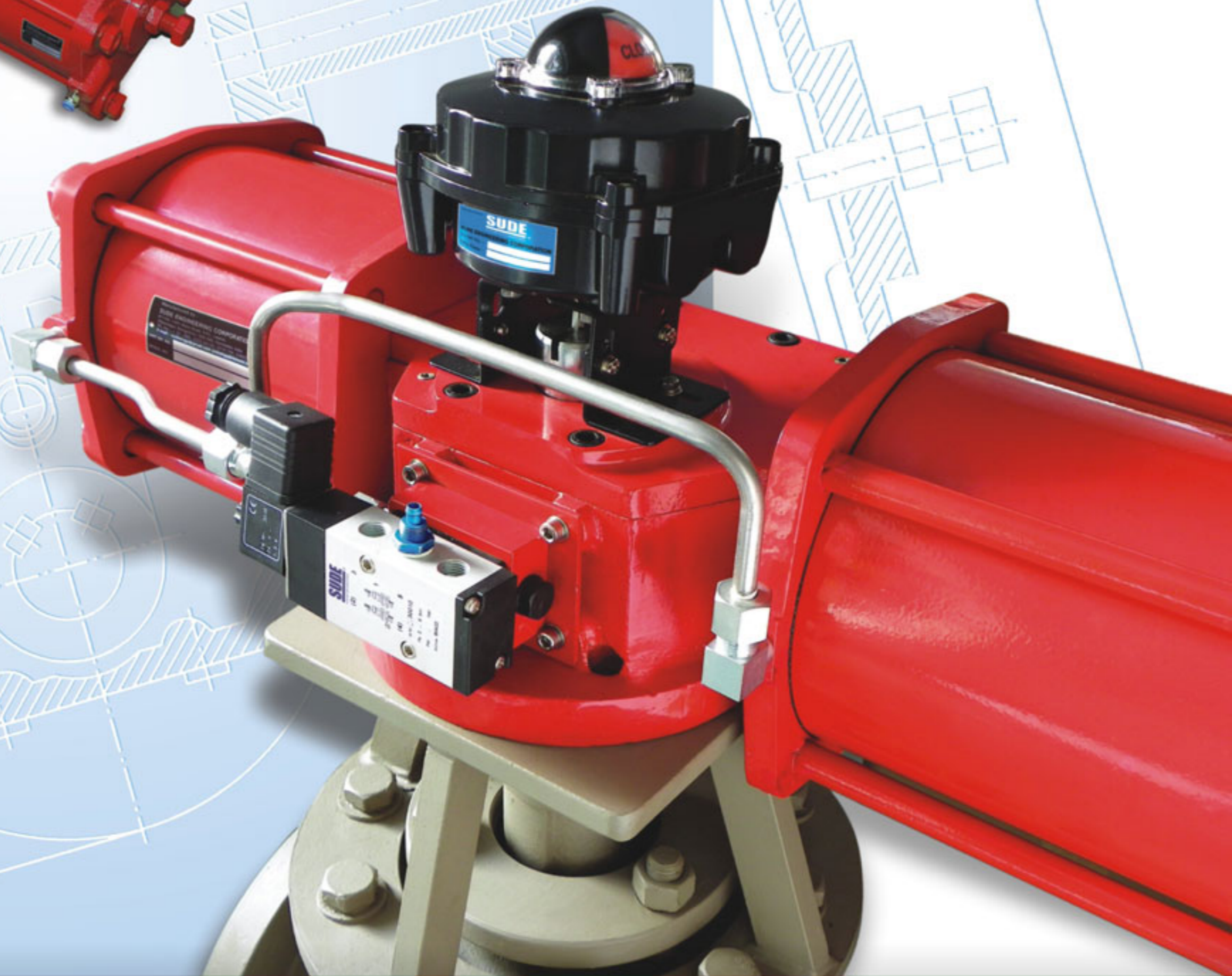
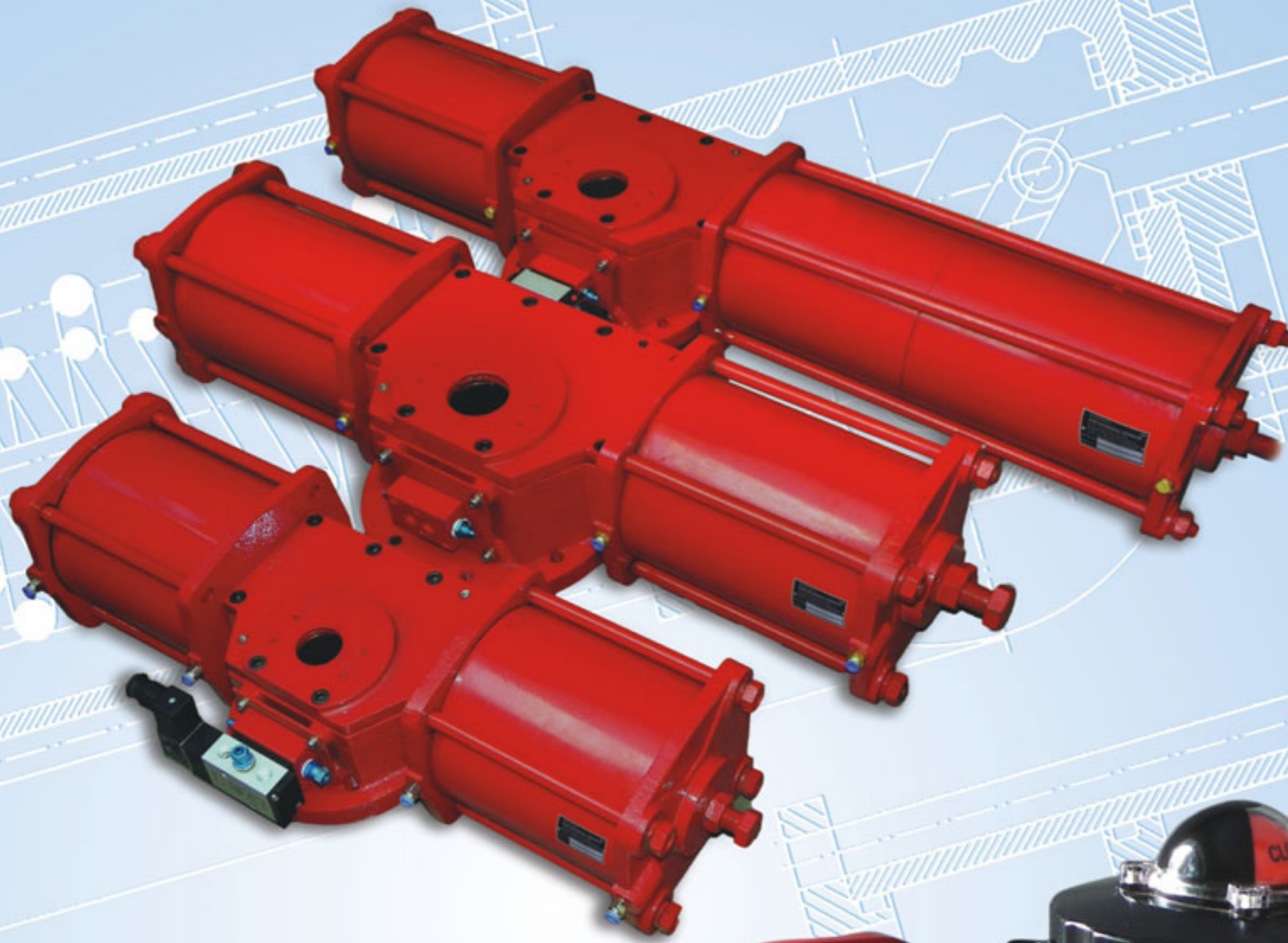


Heavy Duty Torque

"Scotch & Yoke Quarter Turn Pneumatic Actuator"

for Ball Valve / Butterfly Valve / Plug Valve and Damper Application

SUDE-00D/S
SERIES

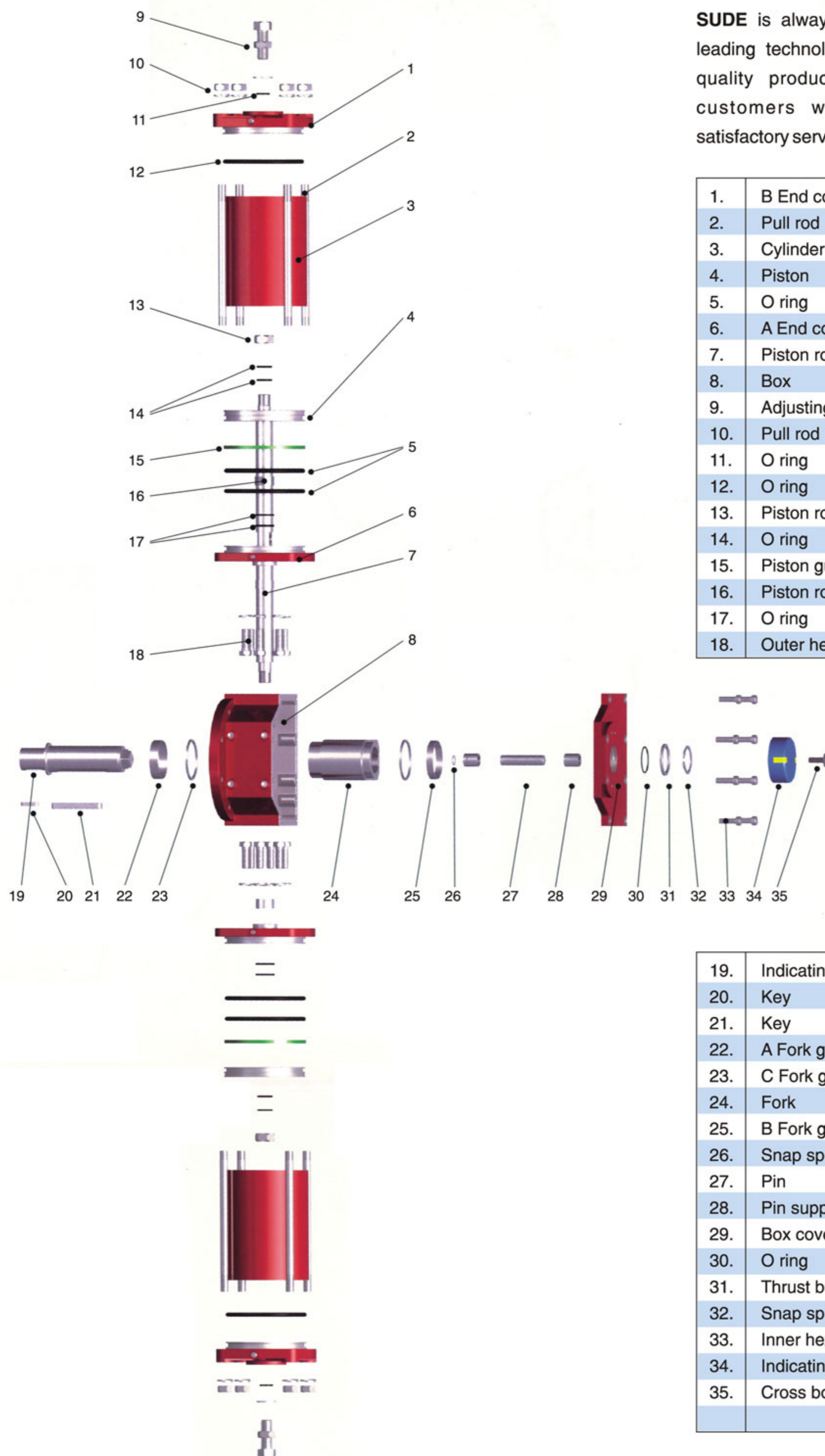


YES. WE CARE...

| Courteously | Attentively | Respectably | Effectively |

| www.sudeengg.com | www.sdtork.com |

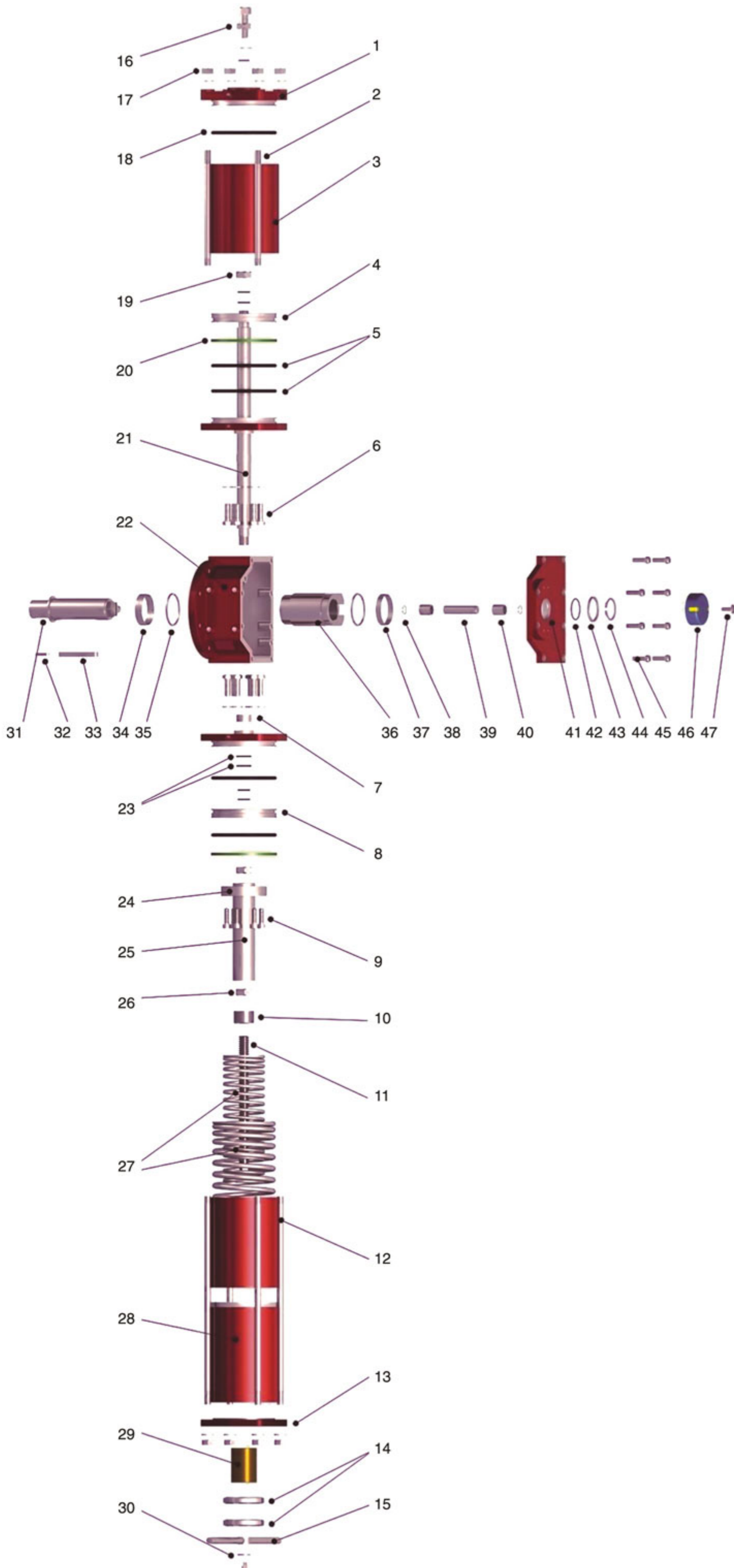
SUDE[®]
An ISO 9001:2008 Certified Company



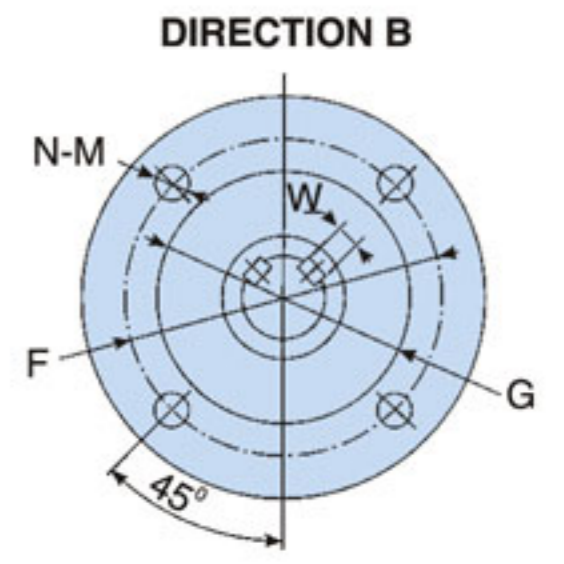
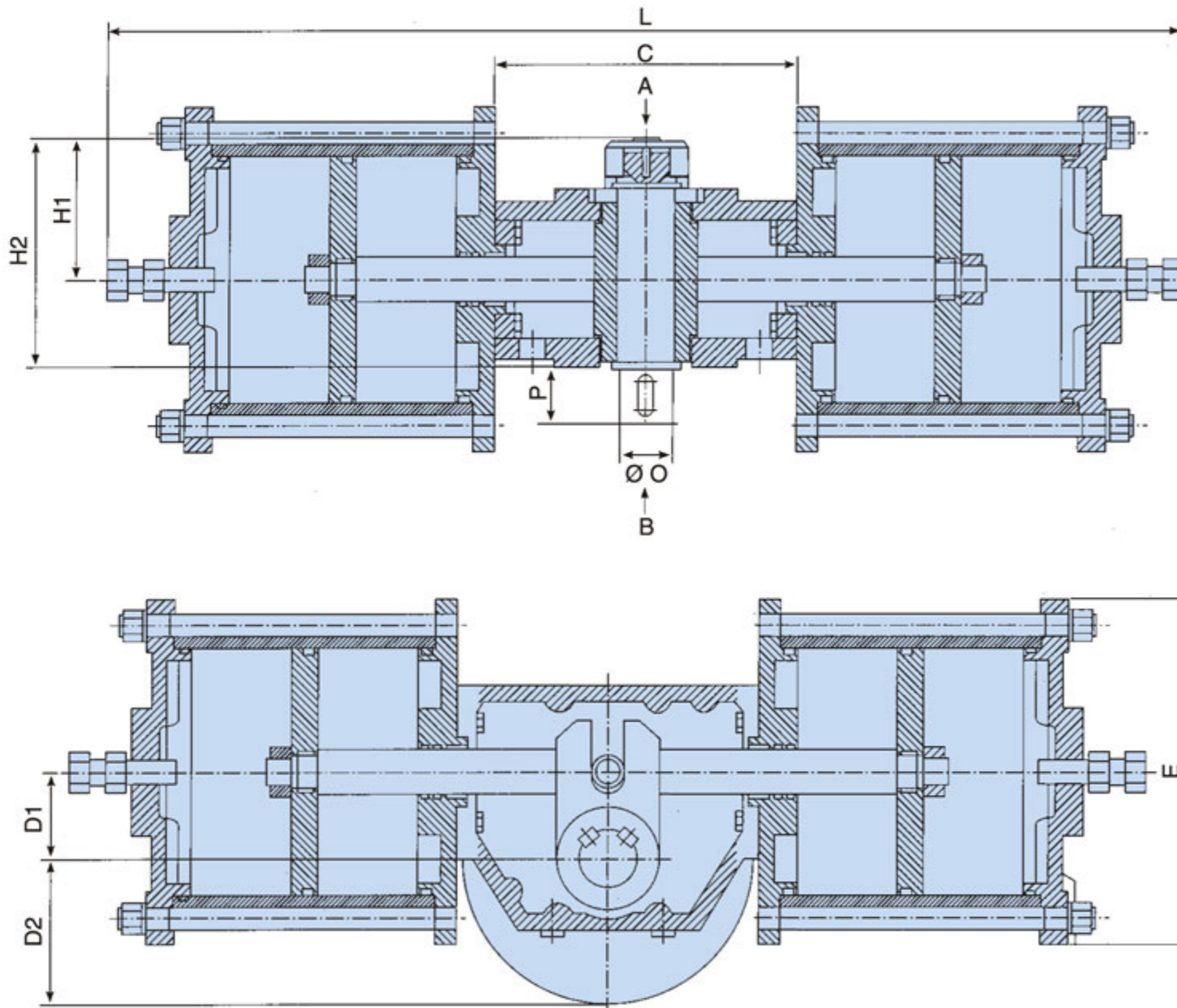
SUDE is always keeping its advantage of leading technology so as to produce high quality products and promptly provide customers with comprehensive and satisfactory services.

1.	B End cover B
2.	Pull rod
3.	Cylinder
4.	Piston
5.	O ring
6.	A End cover B
7.	Piston rod
8.	Box
9.	Adjusting screw + nut + flat cushion
10.	Pull rod nut + spring washer
11.	O ring
12.	O ring
13.	Piston rod nut
14.	O ring
15.	Piston guide ring
16.	Piston rod guide ring
17.	O ring
18.	Outer hexagonal bolt + spring washer

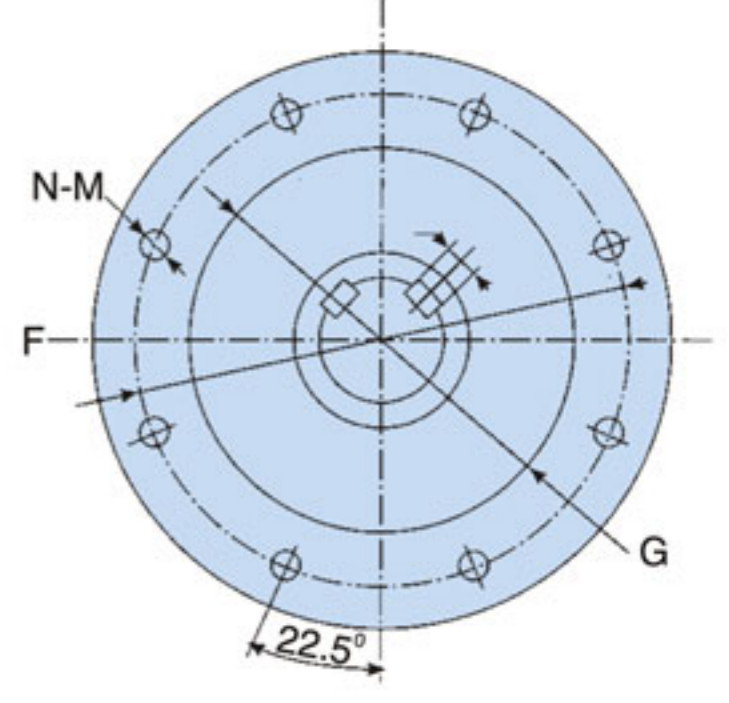
19.	Indicating shaft
20.	Key
21.	Key
22.	A Fork guide sleeve A
23.	C Fork guide sleeve C
24.	Fork
25.	B Fork guide sleeve C
26.	Snap spring
27.	Pin
28.	Pin supporting ring
29.	Box cover
30.	O ring
31.	Thrust bearing
32.	Snap spring
33.	Inner hexagonal bolt
34.	Indicating cover
35.	Cross bolt



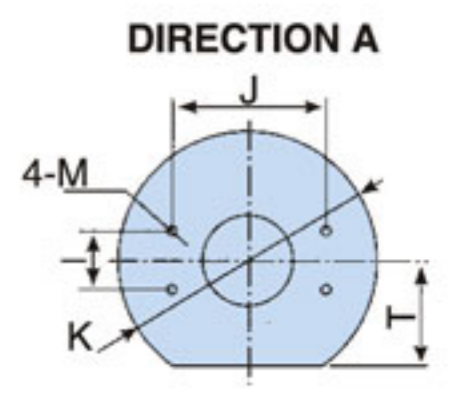
1.	End cover B
2.	Pull rod 1
3.	Cylinder
4.	Piston 1
5.	O ring
6.	Outer hexagonal bolt + spring washer
7.	Piston rod guide ring
8.	Piston 2
9.	Inner hexagonal bolt
10.	Handle guide tube seal
11.	Manual pull rod
12.	Pull rod 2
13.	Spring box end cover
14.	Locking nut
15.	Handle level
16.	Adjusting screw + nut + flat cushion
17.	Pull rod nut + spring washer
18.	O ring
19.	Piston rod nut
20.	Piston guide ring
21.	Piston rod
22.	Box
23.	O ring
24.	Handle guide tube flange
25.	Handle guide tube
26.	Handle pull rod head
27.	Small and large spring
28.	Spring cylinder tube
29.	Adjusting nut
30.	Outer hexagonal bolt + flat cushion
31.	Indicating shaft
32.	Key
33.	Key
34.	A Fork guide sleeve A
35.	C Fork guide sleeve C
36.	Fork
37.	B Fork guide sleeve B
38.	Snap spring
39.	Pin
40.	Pin supporting ring
41.	Box cover
42.	O ring
43.	Thrust bearing
44.	Snap spring
45.	Inner hexagonal bolt
46.	Indicating cover
47.	Cross bolt



SUDE-13D, SUDE-18D



SUDE-20D, SUDE-25D,
SUDE-28D, SUDE-35D,
SUDE-40D



SUDE-13D, SUDE-18D
SUDE-20D, SUDE-25D,
SUDE-28D, SUDE-35D,
SUDE-40D

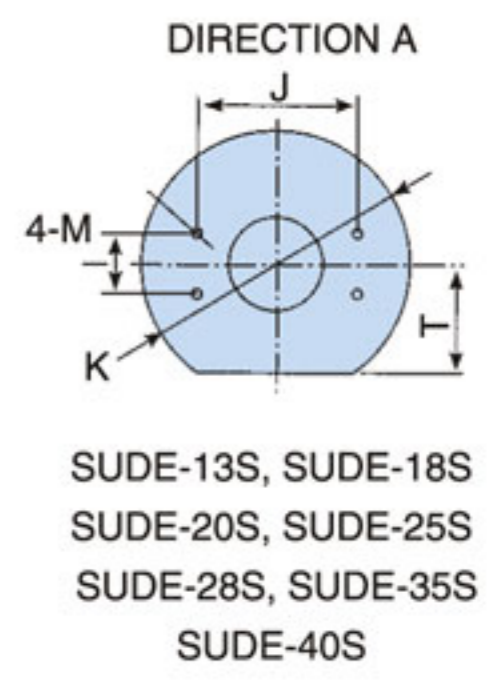
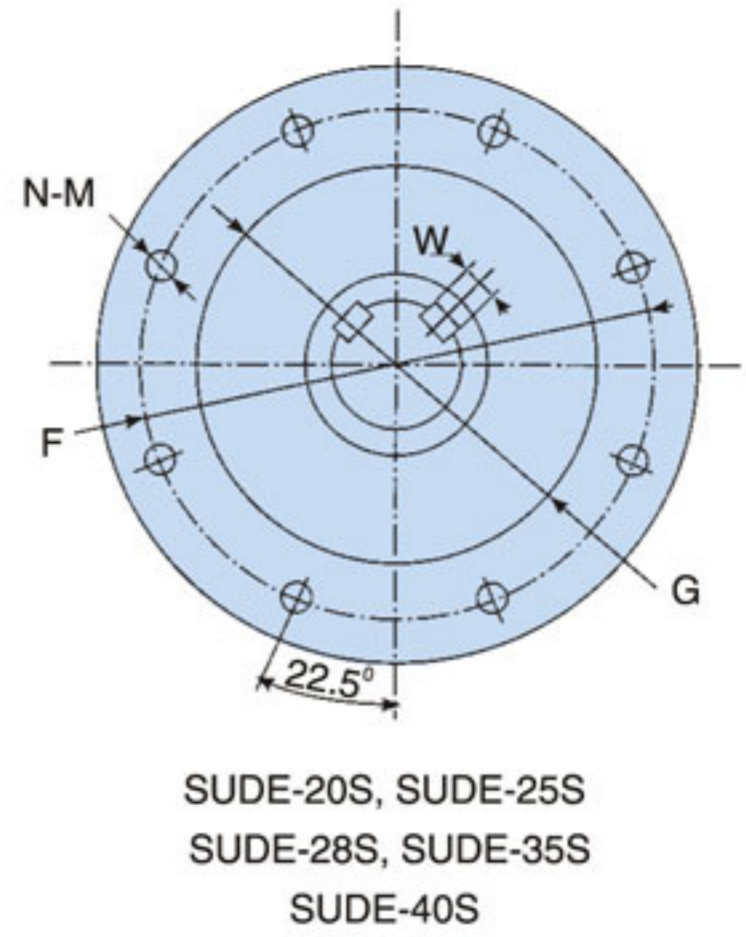
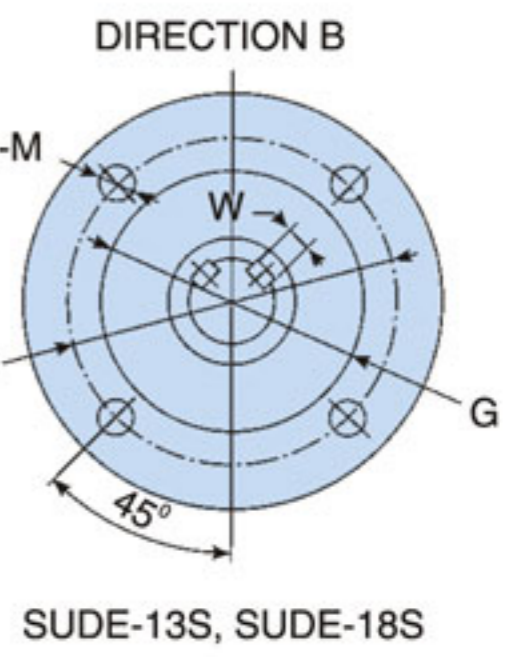
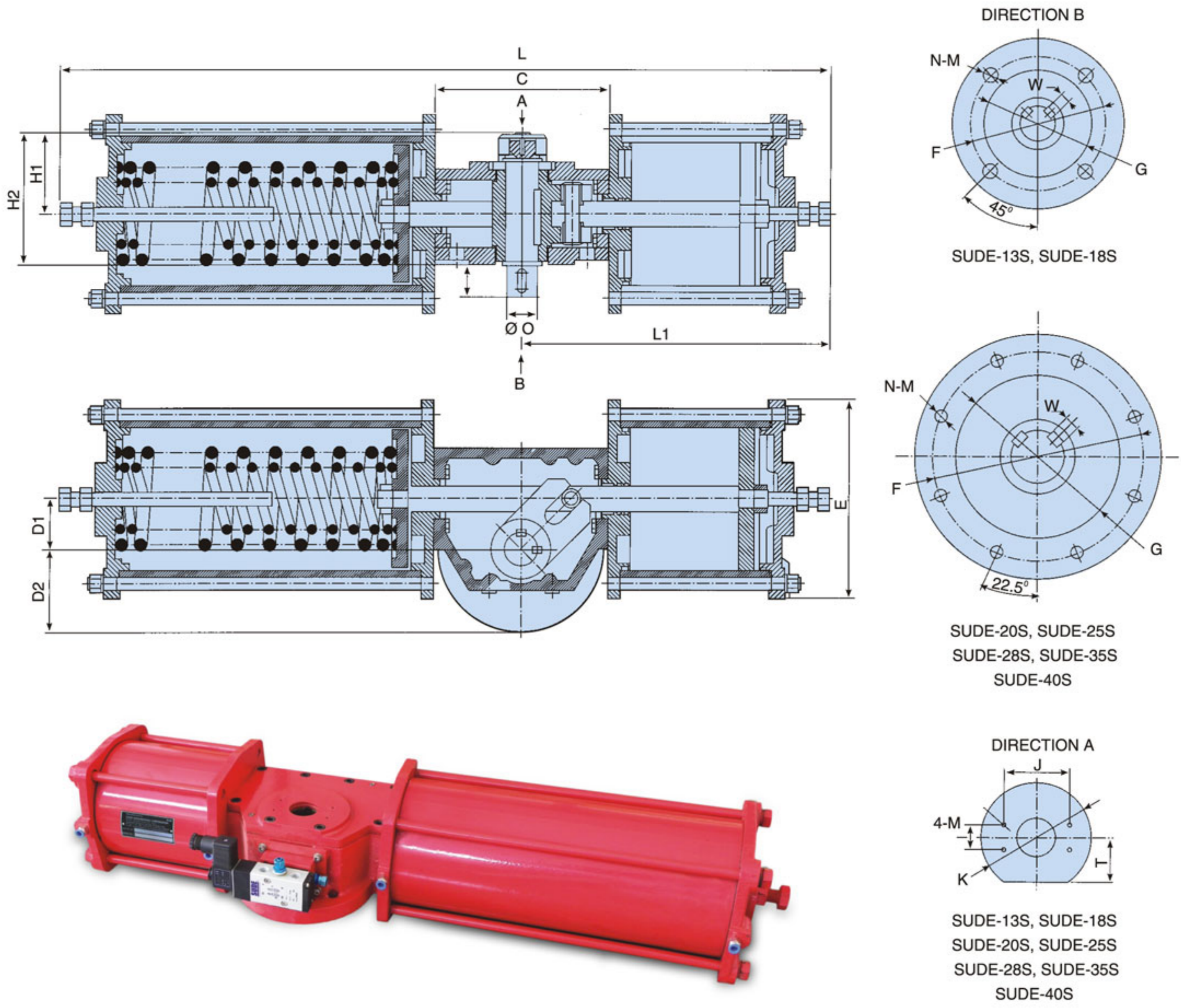


Model And Specification	Air Supply Pressure (bar)				
	3.0	4.0	5.0	6.0	7.0
SUDE-13D	470	620	770	930	1080
SUDE-18D	1340	1780	2220	2670	3110
SUDE-20D	2290	3050	3810	4570	5330
SUDE-25D	3570	4760	5950	7140	8330
SUDE-28D	5020	6690	8360	10030	11700
SUDE-35D	9800	13060	16320	19590	22850
SUDE-40D	12800	17060	21320	25590	29850

Dimensional Details of Double Acting Actuator:

Model and Specification	L	H1	H2	C	D1	D2	E	F	G	N-M	I	J	K	O	P	W	T	4-M	Air Supp Connect
SUDE-13D	600	83	130	148	42	62.5	153	102	70	4-M10	30	80	98	28	40	8	33	4-M5	1/4"NPT
SUDE-18D	830	106	170	240	63	105	208	165	130	4-M20	30	80	134	38	48	10	52.5	4-M5	1/4"NPT
SUDE-20D	1140	132	217	325	87.5	150	231	254	200	8-M16	30	130	185	55	64	16	71.5	4-M5	3/8"NPT
SUDE-25D	1140	132	217	325	87.5	150	284	254	200	8-M16	30	130	185	55	64	16	71.5	4-M5	3/8"NPT
SUDE-28D	1288	142	238	365	98	175	324	298	230	8-M20	30	130	210	55	64	16	80	4-M5	1/2"NPT
SUDE-35D	1630	165	282	450	122.5	207.5	397	356	260	8-M30	30	160	260	85	72	22	102	4-M5	3/4"NPT
SUDE-40D	1630	165	282	450	122.5	207.5	450	356	260	8-M30	30	160	260	85	72	22	102	4-M5	3/4"NPT

Output Torque Table of Single Acting Actuator (Nm) **SUDE** **SUDE-00S**



Model And Specification	Spring Torque		Air Supply Pressure (bar)									
			4.0		4.5		5.0		5.5		6.0	
	Min.	Max.	Min.	Max.	Min.	Max.	Min.	Max.	Min.	Max.	Min.	Max.
SUDE-13S	230	470	160	390	230	460	310	540	390	620	470	700
SUDE-18S	670	1340	440	1110	670	1340	880	1550	1105	1780	1340	2000
SUDE-20S	1145	2290	760	1905	1145	2290	1520	2665	1900	3050	2290	3425
SUDE-25S	1785	3570	1190	2975	1785	3570	2380	4165	2975	4760	3570	5355
SUDE-28S	2510	5020	1670	4180	2510	5020	3340	5850	4170	6690	5020	7520
SUDE-35S	4900	9800	3260	8160	4900	9800	6520	11420	8160	13060	9800	14690
SUDE-40S	6400	12800	4260	10660	6400	12800	8520	14920	10660	17060	12800	19190

Dimensional Details of Single Acting Actuator:

Model And Specification	L	L1	H1	H2	C	D1	D2	E	F	G	N-M	I	J	K	O	P	W	T	4-M	Air Supp Connect
SUDE-13S	720	300	83	130	148	42	62.5	153	102	70	4-M10	30	80	98	28	40	8	33	4-M5	1/4"NPT
SUDE-18S	1080	420	106	170	240	63	105	208	165	130	4-M20	30	80	134	38	48	10	52.5	4-M5	1/4"NPT
SUDE-20S	1420	575	132	217	325	87.5	150	231	254	200	8-M16	30	130	185	55	64	16	71.5	4-M5	3/8"NPT
SUDE-25S	1600	575	132	217	325	87.5	150	284	254	200	8-M16	30	130	185	55	64	16	71.5	4-M5	3/8"NPT
SUDE-28S	1820	650	142	238	365	98	175	324	298	230	8-M20	30	130	210	55	64	16	80	4-M5	1/2"NPT
SUDE-35S	2480	815	165	282	450	122.5	207.5	397	356	260	8-M30	30	160	260	85	72	22	102	4-M5	3/4"NPT
SUDE-40S	2500	815	165	282	450	122.5	207.5	450	356	260	8-M30	30	160	260	85	72	22	102	4-M5	3/4"NPT

OUR OTHER PRODUCTS:

- Solenoid Valves.
- Pneumatically operated control valves.
- Motorised valves.
- Pneumatic & Electric Operated Ball / Butterfly valves.
- Pneumatic & Motorised Dampers.
- Pneumatic & Motorised VIV Dampers.
- Heavy Duty – Single Phase & Three Phase Actuators for operating Gates & Chutes.
- Motorised Rising & Non-rising Sluice Valve.
- Pneumatic & Motorised Pinch Valve.
- Pneumatic & Motorised Flush Bottom Valve.
- Pneumatic & Motorised Dampers.
- Entire range of Electrical Actuator.
- Instrumentation Product likes Pressure Transmitter, PID Controller, Flow meter etc. for System Integration.



NOTE : TECHNICAL SPECIFICATIONS, DETAILS & DIMENSIONS ARE SUBJECT TO CHANGE WITH PRIOR NOTICE. DIMENSIONS IN THE TABLE ARE APPROXIMATE SUBJECT TO FINAL CONFIRMATION BY SUDE.



Head Office, Bangalore

SUDE
An ISO 9001:2008 Certified Company

SUDE ENGINEERING CORPORATION

No. 1106, 10th Main Road, R.P.C. Layout,
Near R.P.C. Layout Bus Stand, Hampinagar,
Bangalore - 560 104. Karnataka, India
Tel. : +91 80 2330 2145 / 2314 1104 / 2340 2297
Fax : +91 80 2330 5729
Cell : +91 9845018216
E-mail : sudeengg@gmail.com
sudeengg@dataone.in

www.sudeengg.com

Pune Office :

S.No. 40/4, Balaji Udyam Nagar,
Tempo Chowk, Wadgaon Sheri,
Pune 411014. Maharashtra India.
Tel. : +91 20 6533 3549 / 6531 1091
Fax : +91 20 2703 1161
Cell : +91 9822980003
E-mail : scpl@sdtork.com

www.sdtork.com